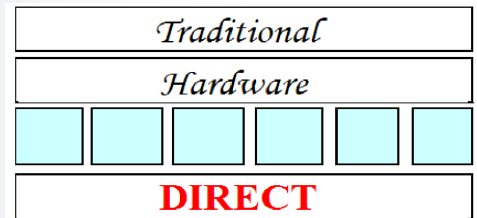


Sash Handles



Traditional Designs

THD262 Sash Handle Ornate

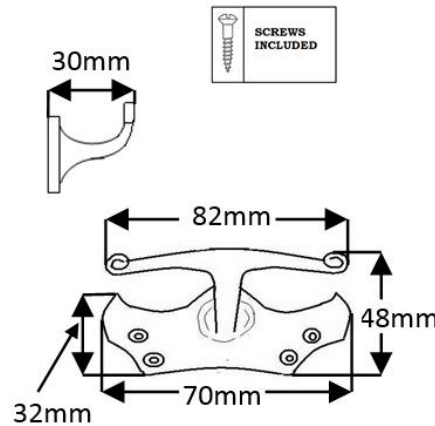
Finishes Available



Specification



THD262



Material : Cast Brass
 Weight : 91 grams inc screws
 Size of Plate : 81mm x 44mm
 Height of Product : 30mm
 Sold as : Each
 With Screws : 4 no. 3/4" x 4 E.B. Steel
 Raised Countersunk Slotted W/S
 Inner Box Quantity : 20
 Outer Box Quantity : 200

Part No.	Description	Finish
THD262/PB	Sash Handle – Ornate	Polished Brass
THD262/CP	Sash Handle – Ornate	Chrome Plated
THD262/SCP	Sash Handle – Ornate	Satin Chrome Plated
THD262/AB	Sash Handle – Ornate	Antique Brass

NOTE : This product is made from Cast Brass and manufactured using the Traditional Sand Cast method.

The items requiring a Lacquer protection are protected using the Electrophoretically Lacquered process giving a very attractive long-lasting product.

Traditional Hardware Direct will Guarantee the product against product failure due to manufacturing defects under normal usage for a period of 10 years from the date of purchase (for further information see our website).

When cleaning the product, use a cloth soaked in warm soapy water and dry off using clean dry cloth – Do not use any chemical cleaners as this will harm the product and will break down the lacquer and tarnish the product.

Due to the nature of the manufacturing process, a tolerance of + / - 5 % must be allowed on the weight and dimensions given on this product

For further information Call Sales on 01254 7739465 or visit our website : www.traditionalhardwaredirect.com