

Sash Lifts & Eyes

Traditional

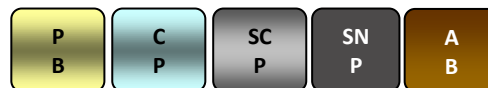
Hardware

DIRECT

Hand Crafted Products

THD163E Pole Hook End

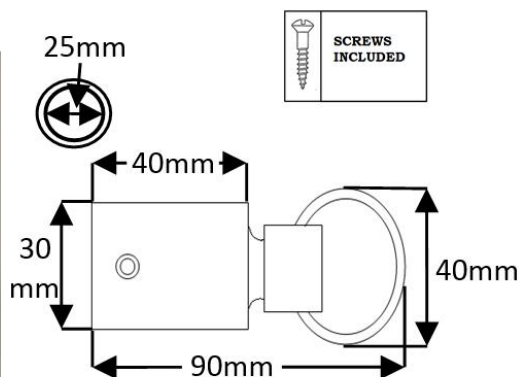
Finishes Available



Specification



THD163E



Material : Cast Brass
 Weight : 153 grams inc screws
 To take 25mm Pole
 Height of Product : 90mm
 Sold as : Each
 With Screws : 1 Number 19mm x 4
 E.B. Raised Head, Countersunk,
 Slotted, Steel W/S
 Inner Box Quantity : 10
 Outer Box Quantity : 100

Part No.

THD163E/PB
 THD163E/CP
 THD163E/SCP
 THD163E/SNP
 THD163E/AB

Description

Pole Hook End
 Pole Hook End
 Pole Hook End
 Pole Hook End
 Pole Hook End

Finish

Polished Brass
 Chrome Plated
 Satin Chrome Plated
 Satin Nickel Plated
 Antique Brass

NOTE : This product is made from Cast Brass and manufactured using the Traditional Sand Cast method. The items requiring a Lacquer protection are protected using the Electrophoretically Lacquered process giving a very attractive long-lasting product. Traditional Hardware Direct will Guarantee the product against product failure due to manufacturing defects under normal usage for a period of 10 years from the date of purchase (for further information see our website). When cleaning the product, use a cloth soaked in warm soapy water and dry off using clean dry cloth - Do not use any chemical cleaners as this will harm the product and will break down the lacquer and tarnish the product. Due to the nature of the manufacturing process, a tolerance of + / - 5 % must be allowed on the weight and dimensions given on this product

For further information Call Sales on 01254 7739465 or visit our website : www.traditionalhardwaredirect.com