

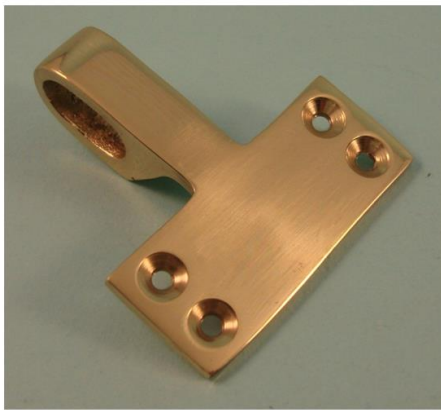
# Sash Lifts and Eyes

Traditional					
Hardware					
<b>DIRECT</b>					

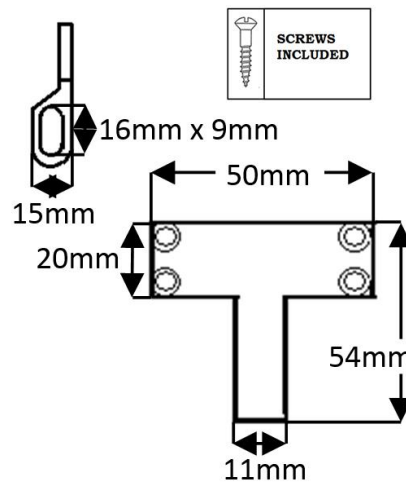
## Traditional Designs

### THD143 Flat Sash Eye Heavy Duty

#### Finishes Available



THD143



## Specification

Material: Brass  
 Weight: 46 grams Inc. screws  
 Size of Plate: 51mm x 22mm  
 Overall Length: 55mm  
 Height of Product: 20mm  
 Sold as: Each  
 With Screws: 4 Number 19mm x 4  
 E.B. Raised Head, Countersunk,  
 Slotted, Steel W/S  
 Inner Box Quantity: 25  
 Outer Box Quantity: 250

Part No.	Description	Finish
THD143/PB	Flat Sash Eye – Heavy Duty	Polished Brass
THD143/CP	Flat Sash Eye – Heavy Duty	Chrome Plated
THD143/SCP	Flat Sash Eye – Heavy Duty	Satin Chrome Plated
THD143/SNP	Flat Sash Eye – Heavy Duty	Satin Nickel Plated
THD143/AB	Flat Sash Eye – Heavy Duty	Antique Brass
THD143/AN	Flat Sash Eye – Heavy Duty	Antique Nickel
THD143/BRO	Flat Sash Eye – Heavy Duty	Bronze
THD143/BLP	Flat Sash Eye – Heavy Duty	Black Polished

NOTE : This product is made from Cast Brass and manufactured using the Traditional Sand Cast method. The items requiring a Lacquer protection are protected using the Electrophoretically Lacquered process giving a very attractive long-lasting product.

Traditional Hardware Direct will Guarantee the product against product failure due to manufacturing defects under normal usage for a period of 10 years from the date of purchase (for further information see our website).

When cleaning the product, use a cloth soaked in warm soapy water and dry off using clean dry cloth – Do not use any chemical cleaners as this will harm the product and will break down the lacquer and tarnish the product.

Due to the nature of the manufacturing process, a tolerance of + / - 5 % must be allowed on the weight and dimensions given on this product

**For further information Call Sales on 01254 7739465 or visit our website : [www.traditionalhardwaredirect.com](http://www.traditionalhardwaredirect.com)**