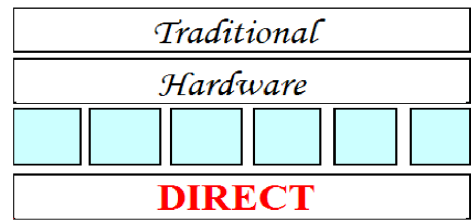


Sash Fasteners



Fasteners for Optimum Performance

THD080 Brighton Fastener - Knurled Top - Small Non Locking

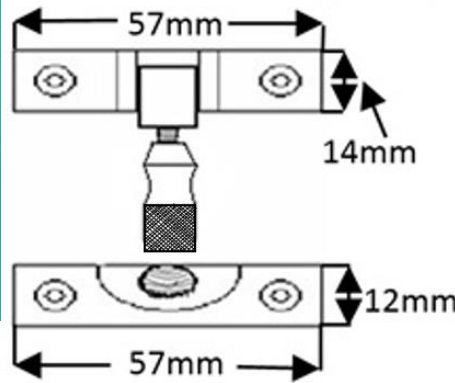
Finishes Available



Specification



THD080



Material : Cast Brass
 Weight : 105 grams inc screws
 Size of Plate: 57mm x 14mm
 Height of Product : 58mm
 Sold as : Each
 With Screws : 4 Number 25mm x 8
 E.B. Flat Head, Countersunk,
 Crosshead, Steel W/S
 Inner Box Quantity : 10
 Outer Box Quantity : 100

| Part No. | Description | Finish |
|------------|--|---------------------|
| THD080/PB | Brighton Fastener – Small – Knurled Knob – Non locking | Polished Brass |
| THD080/CP | Brighton Fastener – Small – Knurled Knob – Non locking | Chrome Plated |
| THD080/SCP | Brighton Fastener – Small – Knurled Knob – Non locking | Satin Chrome Plated |
| THD080/AB | Brighton Fastener – Small – Knurled Knob – Non locking | Antique Brass |
| THD080/AN | Brighton Fastener – Small – Knurled Knob – Non locking | Antique Nickel |
| THD080/BRO | Brighton Fastener – Small – Knurled Knob – Non locking | Bronze |
| THD080/BLP | Brighton Fastener – Small – Knurled Knob – Non locking | Black Polished |

NOTE : This product is made from Cast Brass and manufactured using the Traditional Sand Cast method.

The items requiring a Lacquer protection are protected using the Electrophoretically Lacquered process giving a very attractive long-lasting product.

Traditional Hardware Direct will Guarantee the product against product failure due to manufacturing defects under normal usage for a period of 10 years from the date of purchase (for further information see our website).

When cleaning the product, use a cloth soaked in warm soapy water and dry off using a clean dry cloth – Do not use any chemical cleaners as this will harm the product and will break down the lacquer and tarnish the product.

Due to the nature of the manufacturing process, a tolerance of + / - 5 % must be allowed on the weight and dimensions given on this product

For further information Call Sales on 01254 773945 or visit our website : www.traditionalhardwaredirect.com